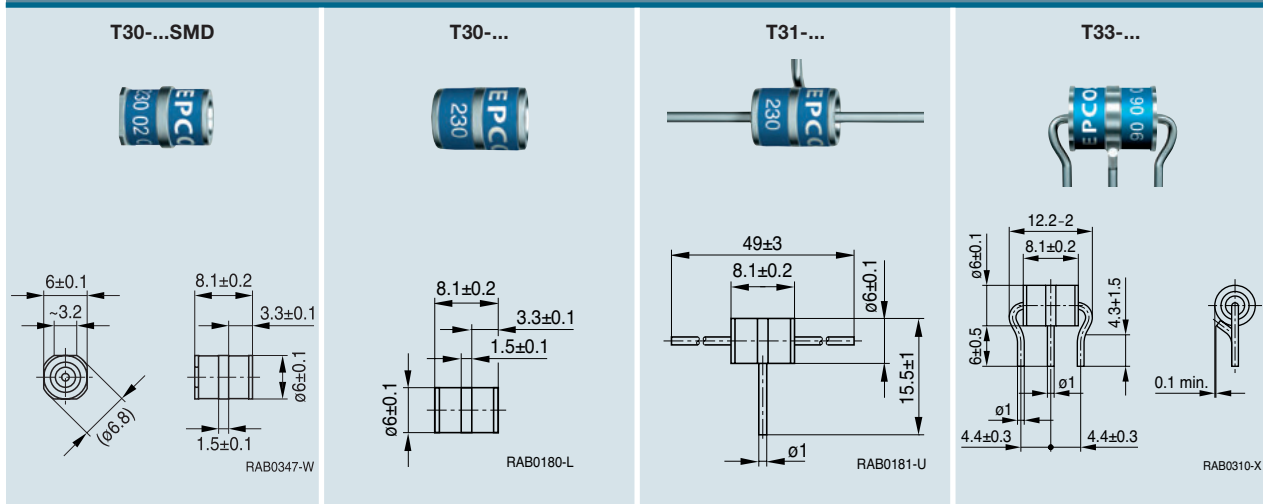


3-Electrode Arresters 3-Elektroden-Ableiter

Medium-duty types
10 kA / 10 A • Ø 6 x 8 mm



Type Ordering code	T30-A90X B88069X3030C253 T31-A90X B88069X2261B252 T33-A90X B88069X2271B502	T30-A230X B88069X3060C253 T30-A230XSMD B88069X6731T702 T31-A230X B88069X3130B252 T33-A230X B88069X9800B502	T30-A250X B88069X3951C253	T30-A350X B88069X3180C253 T31-A350X B88069X3090B252 T33-A350X B88069X1470B502	T30-A420X B88069X3040C253 T30-A420XSMD B88069X4961T702	T30-A500X B88069X3070C203	
Nom. DC spark-over voltage V_{sdCN}	90	230	250	350	420	500	V
Tolerance of V_{sdCN}	±20	±20	±20	±20	-15/+25	±20	%
Impulse spark-over voltage							
@ 100 V/µs 99% of measured values	< 450	< 400	< 500	< 800	< 850	< 1100	V
@ 100 V/µs typical values	< 350	< 350	< 400	< 650	< 700	< 900	V
@ 1 kV/µs 99% of measured values	< 500	< 450	< 550	< 900	< 950	< 1400	V
@ 1 kV/µs typical values	< 400	< 420	< 450	< 700	< 850	< 1000	V
Nom. alternating discharge current @ 50 Hz, 1 s	10	10	10	10	10	10	A
Alternating discharge current @ 50 Hz, 9 cycles	30	30	30	30	30	30	A
Nom. impulse discharge current 10 operations 8/20 µs	10	10	10	10	10	10	kA
Single impulse discharge current, 1 op. 8/20 µs	10	10	10	10	10	10	kA
Impulse discharge current, 1 op. 10/350 µs	2	2	2	2	2	2	kA
Insulation resistance	> 10	> 10	> 10	> 10	> 10	> 10	GΩ
Capacitance @ 1 MHz	< 1.5	< 1.5	< 1.5	< 1.5	< 1.5	< 1.5	pF

Currents through center electrode, half value through each line electrode.

About packing see page 65.

Please read *Important notes* on page 4 and *Cautions and warnings* on page 69.
Bitte beachten Sie die Seite 4 *Wichtige Hinweise* sowie die *Warn- und Sicherheitshinweise* auf Seite 69.