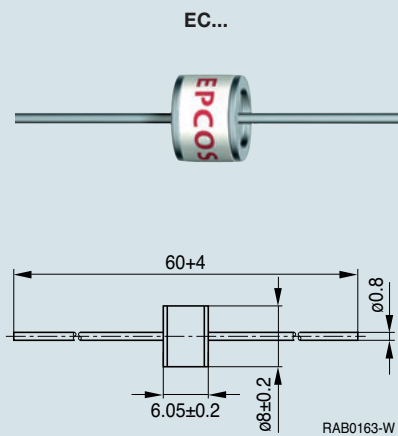


2-Electrode Arresters 2-Elektroden-Ableiter

Light-duty types
5 kA / 5 A • Ø 8 x 6 mm



| Type | EC75X | EC90X | EC150X | EC230X | EC350X | EC600X | |
|--|-----------------|-----------------|-----------------|-----------------|-----------------|-----------------|----|
| Ordering code | B88069X0180S102 | B88069X0720S102 | B88069X0880S102 | B88069X0660S102 | B88069X0810S102 | B88069X0780S102 | |
| Nom. DC spark-over voltage V_{sdclN} | 75 | 90 | 150 | 230 | 350 | 600 | V |
| Tolerance of V_{sdclN} | ± 20 | ± 20 | ± 20 | ± 15 | ± 15 | ± 15 | % |
| Impulse spark-over voltage | | | | | | | |
| @ 100 V/µs 99% of measured values | < 500 | < 500 | < 500 | < 550 | < 800 | < 1200 | V |
| @ 100 V/µs typical values | < 400 | < 450 | < 450 | < 500 | < 700 | < 1000 | V |
| @ 1 kV/µs 99% of measured values | < 700 | < 600 | < 650 | < 700 | < 900 | < 1300 | V |
| @ 1 kV/µs typical values | < 600 | < 550 | < 550 | < 600 | < 800 | < 1100 | V |
| Nom. alternating discharge current @ 50 Hz, 1 s | 5 | 5 | 5 | 5 | 5 | 10 | A |
| Alternating discharge current @ 50 Hz, 9 cycles | 20 | 20 | 20 | 20 | 20 | 65 | A |
| Nom. impulse discharge current 10 operations 8/20 µs | 5 | 5 | 5 | 5 | 5 | 5 | kA |
| Single impulse discharge current 1 operation 8/20 µs | 10 | 10 | 10 | 10 | 10 | 10 | kA |
| Impulse discharge current 1 operation 10/350 µs | 1 | 1 | 1 | 1 | 1 | 1 | kA |
| Impulse discharge current, 300 operations 10/1000 µs | 100 | 100 | 100 | 100 | 100 | on request | A |
| Insulation resistance | > 10 | > 10 | > 10 | > 10 | > 10 | > 10 | GΩ |
| Capacitance @ 1 MHz | < 1 | < 1 | < 1 | < 1 | < 1 | < 1 | pF |

About packing see page 65.