

# SURGiNG

紹 鑫 實 業



## Fuses

保险丝

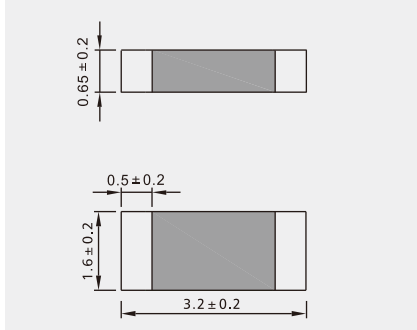
12D Series

# 12D RoHS Compliant



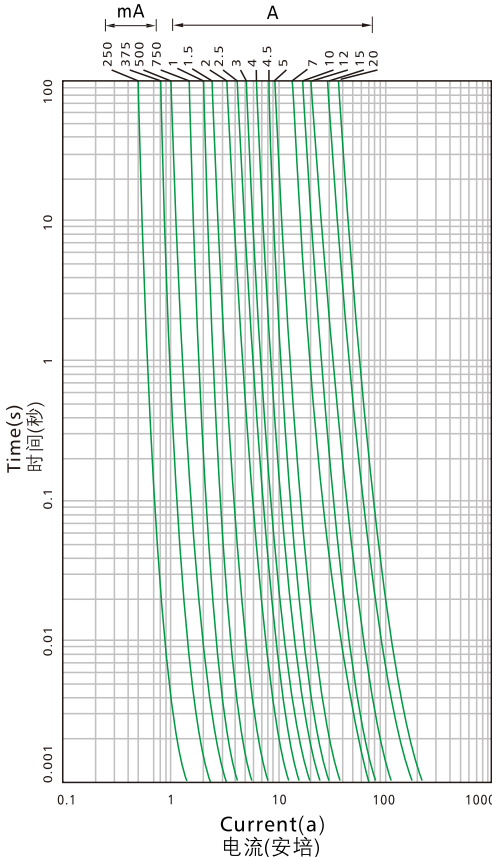
## 贴片保险丝(快断型)

### SMD Fuse (Fast-Acting) 63V/32V/24V



目录编号 Catalog No.	额定电流 Ampere Rating	额定电压 Voltage Rating	标示 Making	熔化热能 <sup>2</sup> Melting Integral (A <sup>2</sup> .S)
12D0250C	250mA	63V	.25	0.0035
12D0375C	375mA	63V	●	0.0011
12D0500C	500mA	63V	0.5	0.0020
12D0750C	750mA	63V	.75	0.0053
12D1100C	1A	63V	1	0.0065
12D1125C	1.25A	63V	▲	0.020
12D1150C	1.5A	63V	1.5	0.025
12D1200C	2A	63V	2	0.091
12D1250C	2.5A	63V	2.5	0.150
12D1300C	3A	63V	3	0.329
12D1400D	4A	32V	4	0.225
12D1500D	5A	32V	5	0.564
12D1700D	7A	32V	7	3.197
12D2100E	10A	24V	10	2.162
12D2120E	12A	24V	12	7.100
12D2150E	15A	24V	15	23.893
12D2200E	20A	24V	20	47.172

**Time-Current Characteristics**  
电流-时间曲线图



认证 Approvals	电流范围 Ampere Range	证书号 Certificate No.
	250mA~20A	E221465

#### 额定分断能力:

#### Interrupting Rating:

- 50 Amperes at 63V DC/32V AC(250mA~3A)
- 50 Amperes at 32V DC/32V AC(4A~7A)
- 150 Amperes at 24V DC(8A~20A)

#### 电气特性 Electrical Characteristics:

额定电流 Ampere Rating	额定电流的% % of Ampere Rating	熔断时间 Opening Time
250mA~20A	100%	4 hours Min(大于4小时)
250mA~3A	250%	5 s Max(小于5秒)
4A~20A	350%	5 s Max(小于5秒)

#### 工作温度 Operating Temperature

-40°C~+125°C

#### 材料 Materials

- Substrate:ceramic/glass cover
- Termination:sliver over-plated with nickel and tin
- Element:silver

#### 焊接方法 Soldering Method

Solder reflow:260°C,10 s max.

#### 包装 Packaging

Automaton taped 3000PCS per reel,30000PCS per carton.